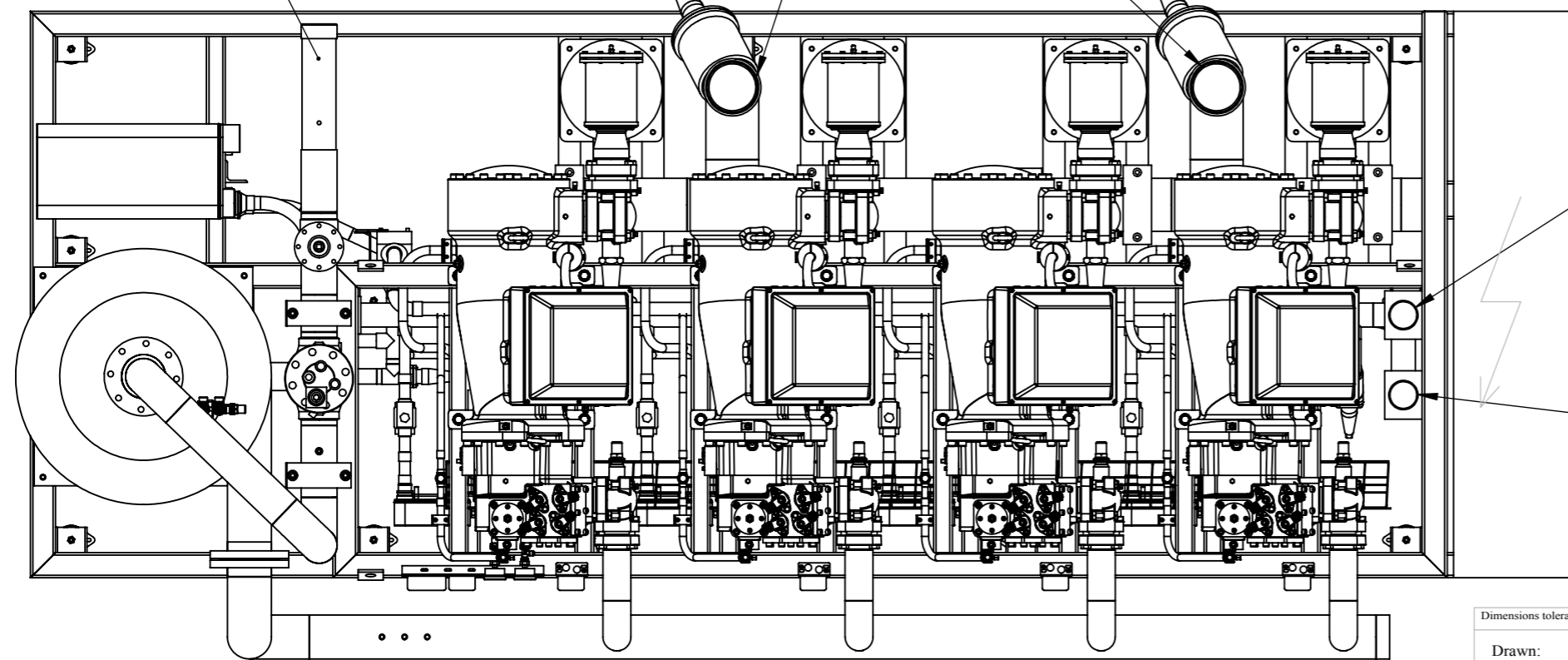


discharge line CU108

suction line 2xDN150



liquid line in CU89

liquid line out CU89

Dimensions tolerated up to 1000 mm to perform with an accuracy of +/- 1 mm, dimensions greater than 1000 mm with an accuracy of +/- 2 mm. The guidelines do not apply hole diameters.

Drawn:	J. Śląski	Date:	2017-01-30
Checked:			
Material:	Surface: dm2	Color:	



Part:	Format: A3	Sheet: 1 z 1	Skala: 1:20
	Drawing No:		Weight: 5100kg
Project: 2411 01848 AZ-BKI-4xHSN8591-160E			Version: 1